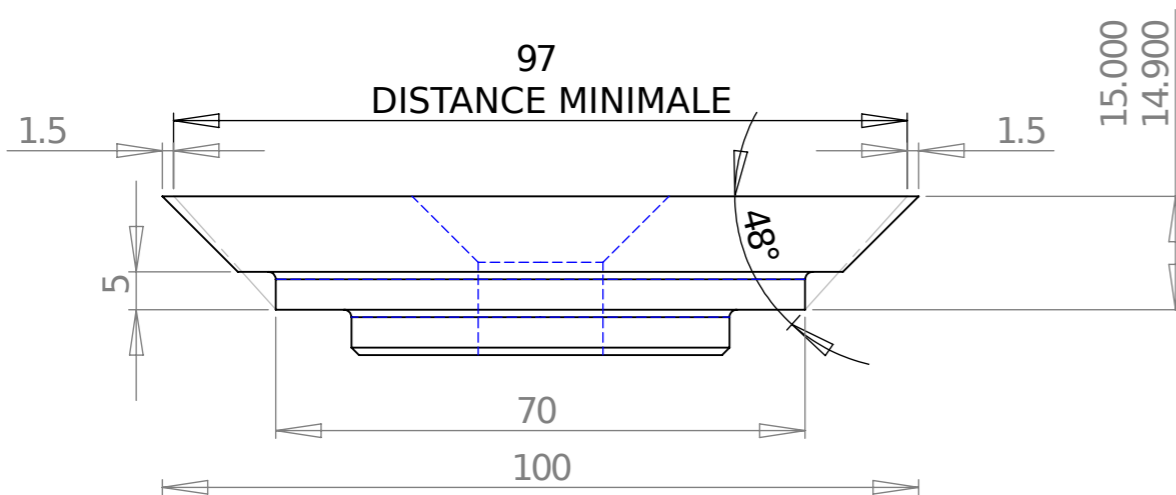


DO NOT SCALE - IF IN DOUBT ASK

1ST ANGLE PROJECTION

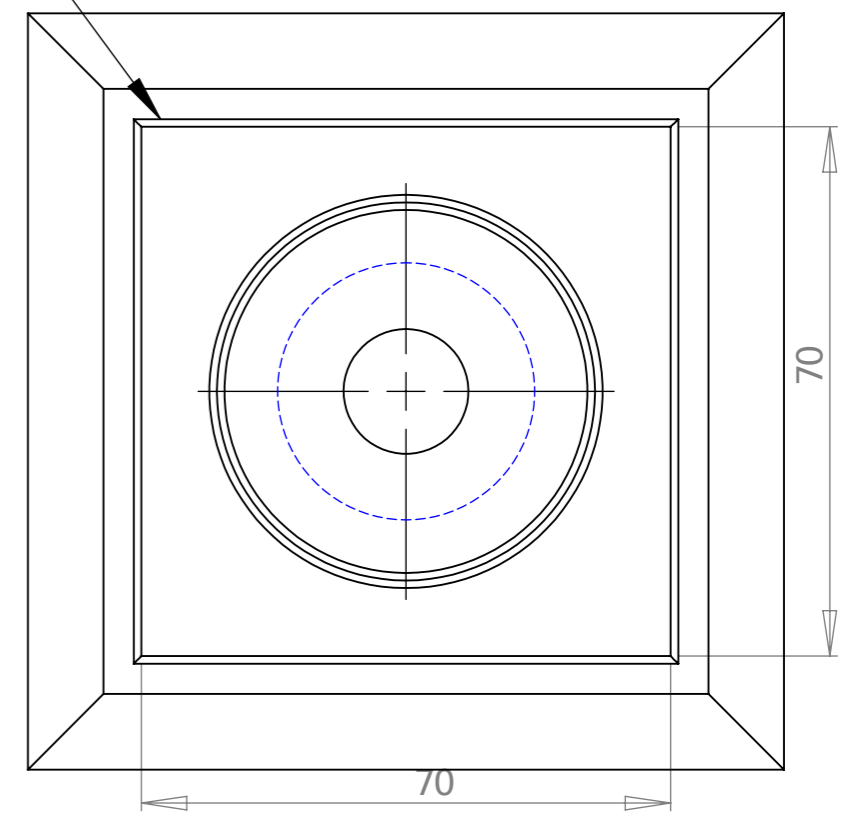
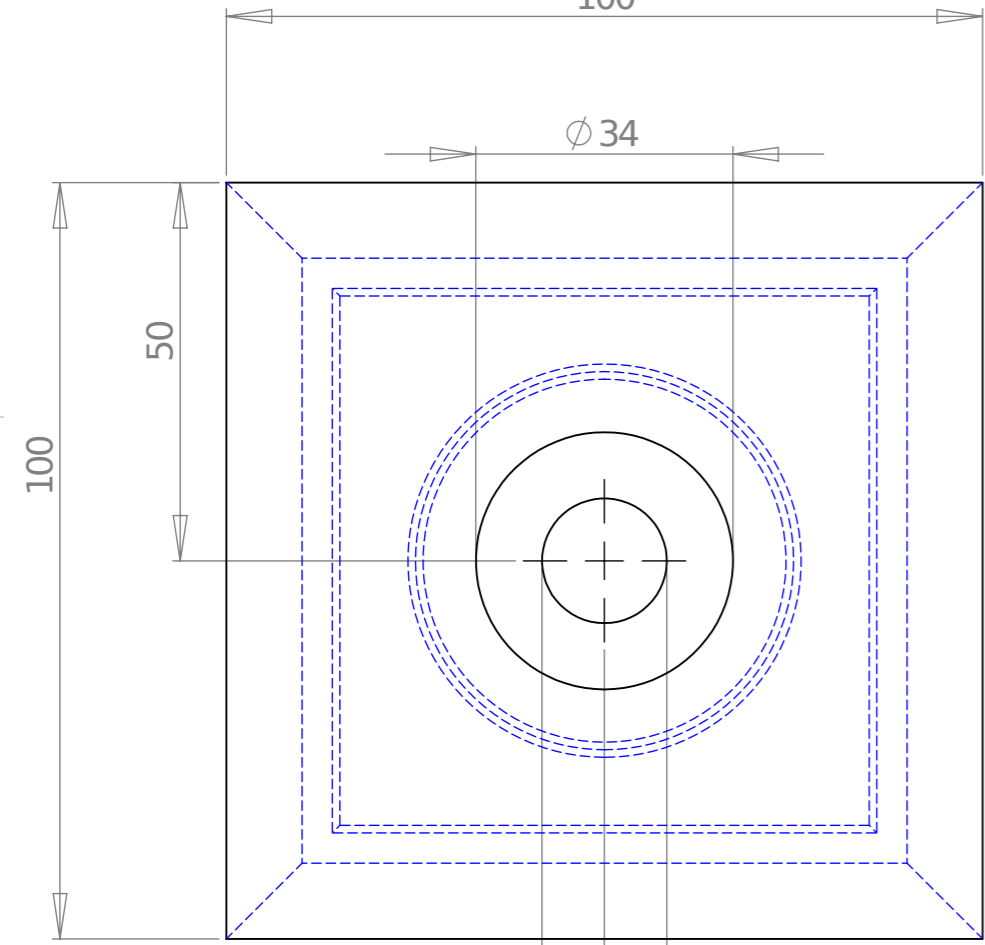
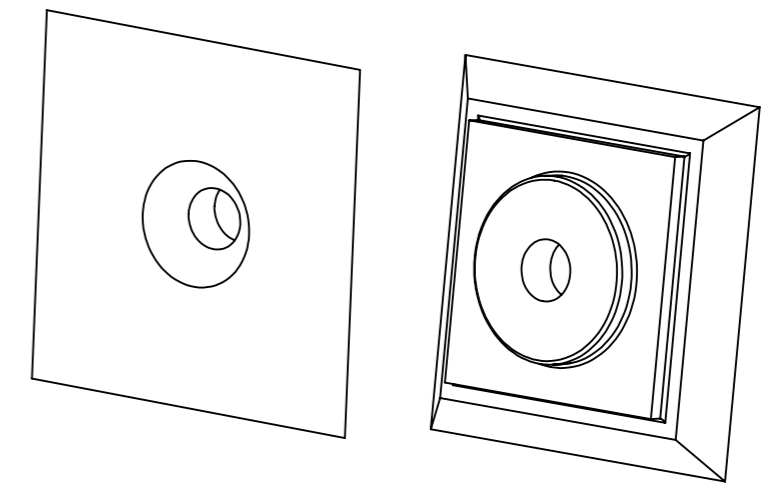
DIMNS IN MM

PROGRAM No:-



NEUF: ANGLE DE 45°
REAFFUTAGE: ANGLE DE 48°

NE PAS ALTERER CES BORDS



TOLERANCES: LINEAR: 0.025MM ANGULAR: 0.25°		FINISH: RAW		NAME	SIGNATURE	DATE	DEBUR AND BREAK SHARP EDGES	TOLERANCES MACHINED PARTS +/- 0.025mm FABRICATED PARTS +/- 1.0mm	
DRAWN		BGG				19/3/09			
CHK'D									
APPV'D		BGG							
GreenMech Ltd				01/12/16		MATERIAL:		TITLE:	
The Mill Industrial Park Kings Coughton Alcester Warks B49 5QG Tel 01789 400044						D2 TOOL STEEL		QUAD CUTTER	
A				5MM DEEP REBATE ADDED TO UNDERSIDE		BGG		2/11/09	
REV				MODIFICATION		DRN		APPD	
1				2		3		DATE	
						WEIGHT: 0.870.87 868g		DWG NO. QC 160-2-37	
						SCALE:1:1		SHEET 1 OF 1	
								A3	

A
B
C
D
E
F

A
B
C
D
E
F